

KEY FEATURES

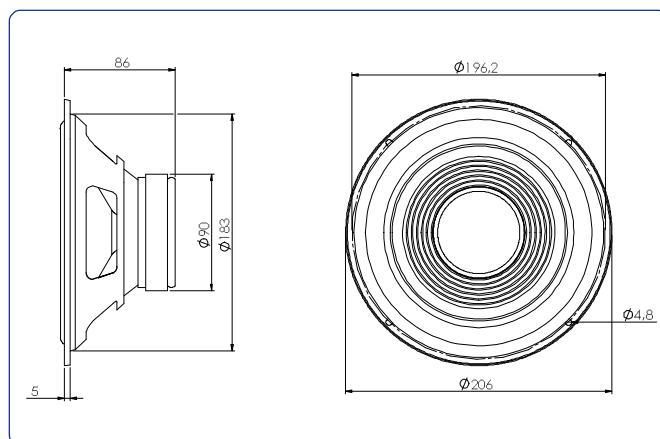
- 100 W program power.
- 90 dB, 2,83V @ 1m sensitivity.
- Extended controlled displacement: $X_{max} \pm 5,7$ mm.
- Foam surround for extended bass response.
- Smooth and flat response and low distortion.
- Suited for bass and midbass applications, sealed or vented small cabinets.
- Steel basket.
- Ferrite magnet.



TECHNICAL SPECIFICATIONS

Nominal diameter	200 mm	8 in
Rated impedance		8 Ω
Minimum impedance		6,8 Ω
Power capacity*		50 W _{RMS}
Program power		100 W
Sensitivity	90 dB	2.83v @ 1m @ 2 π
Frequency range		30 - 6.000 Hz
Recom. enclosure vol.	15 / 40 l	0,53 / 1,41 ft ³
Voice coil diameter	25,8 mm	1 in
Magnetic assembly weight	1 kg	2,2 lb
BL factor		5,9 N/A
Moving mass		0,021 kg
Voice coil length		14 mm
Air gap height		6 mm
X _{damage} (peak to peak)		21 mm

DIMENSION DRAWINGS



MOUNTING INFORMATION

Overall diameter	206 mm	8,11 in
Bolt circle diameter	196,2 mm	7,72 in
Baffle cutout diameter:		
- Front mount	183 mm	7,2 in
- Rear mount	194 mm	7,64 in
Depth	86 mm	3,39 in
Volume displaced by driver	1,5 l	0,07 ft ³
Net weight	1,17 kg	2,58 lb
Shipping weight	1,33 kg	2,93 lb

Notes:

* The power capacity is determined according to AES2-1984 (r2003) standard. Program power is defined as the transducer's ability to handle normal music program material.

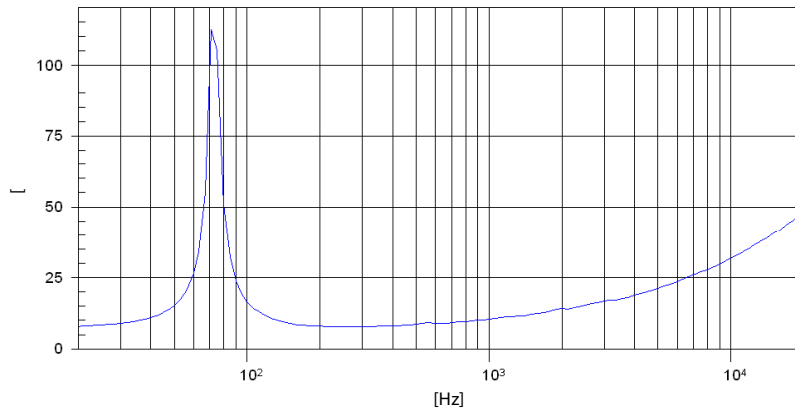
** T-S parameters are measured after an exercise period using a preconditioning power test. The measurements are carried out with a velocity-current laser transducer and will reflect the long term parameters (once the loudspeaker has been working for a short period of time).

*** The X_{max} is calculated as $(L_{vc} - H_{ag})/2 + (H_{ag}/3,5)$, where L_{vc} is the voice coil length and H_{ag} is the air gap height.

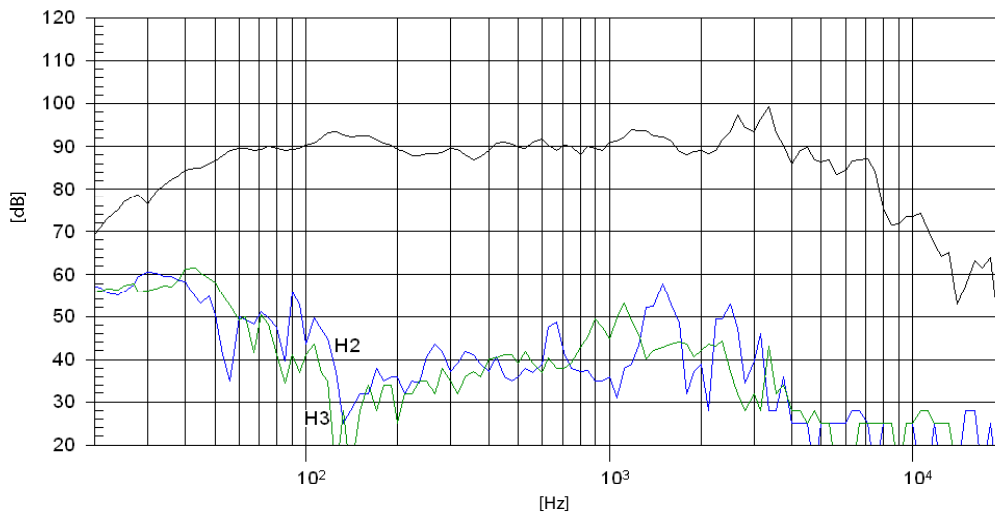
THIELE-SMALL PARAMETERS**

Resonant frequency, f_s	52 Hz
D.C. Voice coil resistance, R_e	5,5 Ω
Mechanical Quality Factor, Q_{ms}	5,56
Electrical Quality Factor, Q_{es}	1,10
Total Quality Factor, Q_{ts}	0,92
Equivalent Air Volume to C_{ms} , V_{as}	29,6 l
Mechanical Compliance, C_{ms}	438 μ m / N
Mechanical Resistance, R_{ms}	1,26 kg / s
Efficiency, η_0	0,36 %
Effective Surface Area, S_d	0,022 m ²
Maximum Displacement, X_{max} ***	5,7 mm
Displacement Volume, V_d	110 cm ³
Voice Coil Inductance, L_e @ 1 kHz	0,8 mH

FREE AIR IMPEDANCE CURVE



FREQUENCY RESPONSE AND DISTORTION



Note: On axis frequency response measured with loudspeaker standing on infinite baffle in anechoic chamber, 1W @ 1m